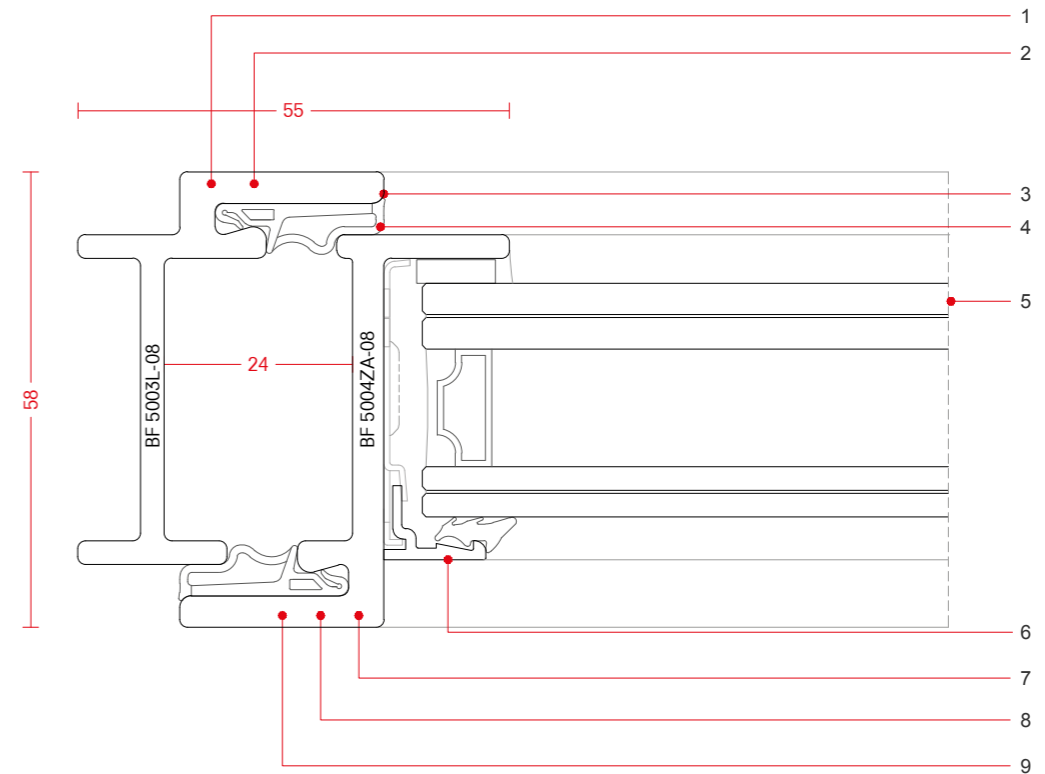


## BronzoFinestra B40

A timeless metal of undisputed prestige, for a profile system that embraces the same classic lines of the FerroFinestra W40 design. Architectural bronze is a copper alloy consisting of about 58% copper and 40% zinc. Like Cor-Ten steel, architectural bronze is a living material, subject to natural oxidation and therefore to acquire unique and original shades over time. BronzoFinestra B40 is ideal for restoration works on heritage and fascinating for new buildings; it combines charm with longevity and achieves remarkable thermo-acoustic insulation in combination with low emissivity glazing.



### FEATURES

- |  |  |
|--|--|
| 1. Solid architectural bronze extrusions           | 7. Very compact profiles with minimal depth and sightlines   |
| 2. Classic "stepped leg" design                    | 8. Material thickness up to 4 mm   |
| 3. Natural resistance to corrosion                 | 9. Fixed glazing, tilt and turn, single-sash and double-sash, side-hung and bottom-hung windows opening inwards and outwards, top-hung, vertical and horizontal pivoting windows, windows and doors opening inwards and outwards |
| 4. Mechanically fixed rebate gaskets               |  |
| 5. Accommodates low emissivity glazing up to 30 mm |  |
| 6. Choice of different glazing beads               |  |

tilt and turn fittings - see accessories chapter for details

-00 Aluminium



E99501-00  
ALUMINIUM GUIDE  
FOR FRAME  
L 4000 mm

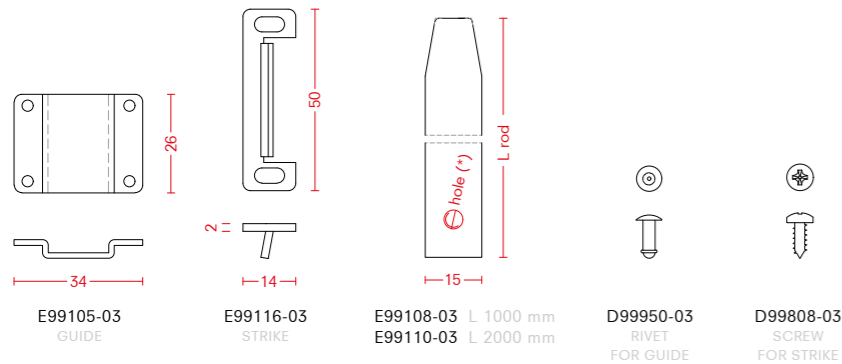


E99502-00  
ALUMINIUM GUIDE  
FOR FRAME  
L 4000 mm

ATTENTION:  
DISTANCE BETWEEN FRAME AND SASH HAS  
TO BE INCREASED FROM 24 TO 26,5 mm.  
THE ALUMINIUM GUIDES HAVE TO BE PAINTED

concealed push rod set

-03 Stainless steel AISI 304 2B



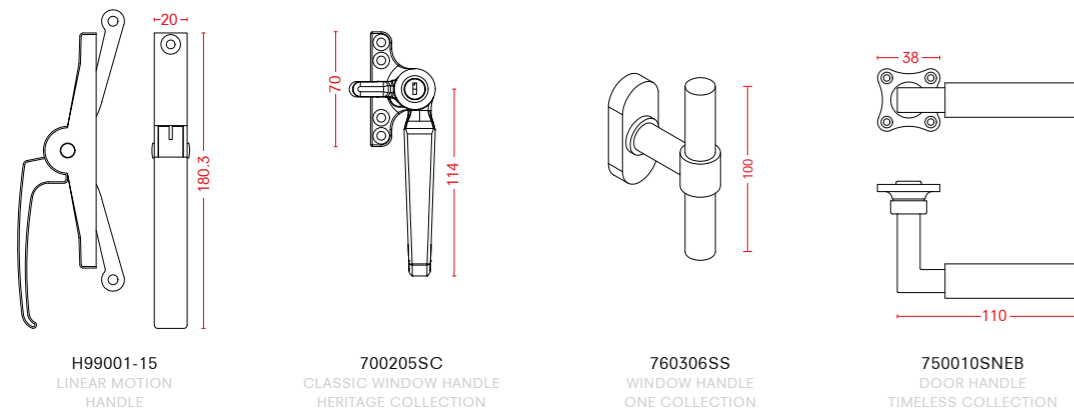
K99031 - SET - PUSH - RODS 1000+2000		
Code	Quantity	Description
E99108-03	1	Rod 1000 mm
E99110-03	1	Rod 2000 mm
E99105-03	5	Rod guide
E99116-03	2	Rod strike
D99950-03	20	Rivet for guide
D99808-03	4	Screw for keep

K99030 - SET - PUSH - RODS 1000+1000		
Code	Quantity	Description
E99108-03	2	Rod 1000 mm
E99105-03	4	Rod guide
E99116-03	2	Rod strike
D99950-03	16	Rivet for guide
D99808-03	4	Screw for keep

K99032 - SET - PUSH - RODS 2000+2000		
Code	Quantity	Description
E99110-03	2	Rod 2000 mm
E99105-03	6	Rod guide
E99116-03	2	Rod strike
D99950-03	24	Rivet for guide
D99808-03	4	Screw for keep

fittings examples - see accessories chapter for details

-15 Satin chrome SC Satin chrome SS Satin stainless steel SNEB Satin nickel/ebony wood



H99001-15  
LINEAR MOTION  
HANDLE

700205SC  
CLASSIC WINDOW HANDLE  
HERITAGE COLLECTION

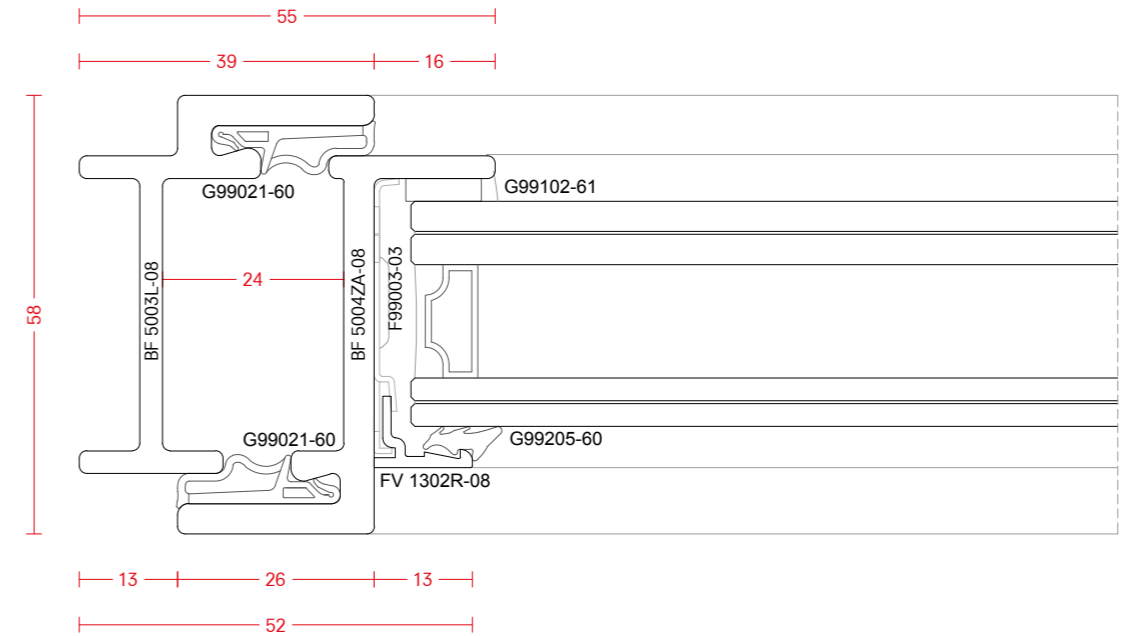
760306SS  
WINDOW HANDLE  
ONE COLLECTION

750010SNEB  
DOOR HANDLE  
TIMELESS COLLECTION

examples - open in

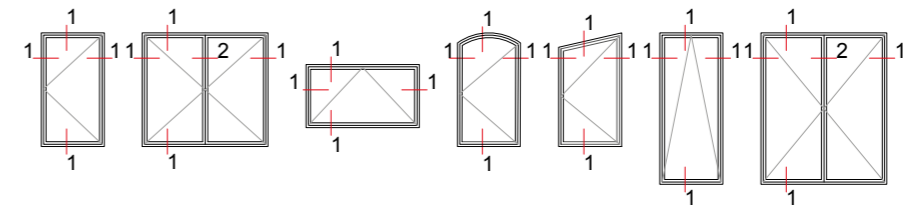
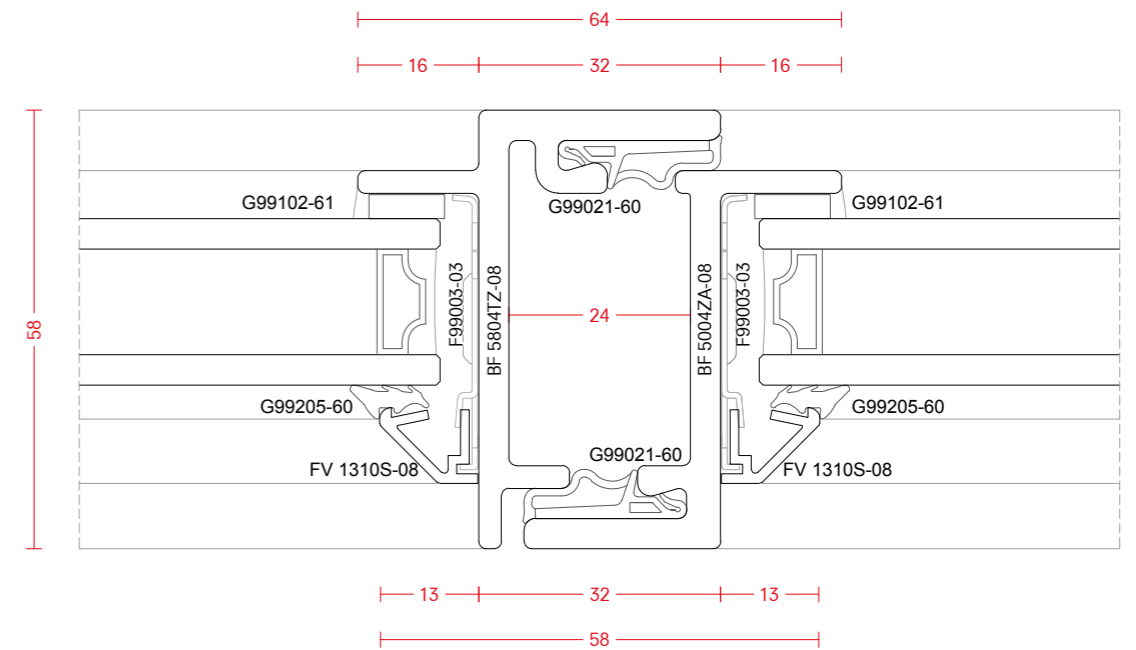
SECTION 1

EXTERNAL



SECTION 2

EXTERNAL



examples - open out

examples - fixed

